

PRODUCT SPECIFICATIONS

Elkay Crosstown® 18 Gauge Stainless Steel 15" x 15" x 9", Single Bowl Dual Mount Sink Kit. Sink is manufactured from 18 gauge 304 Stainless Steel with a Polished Satin finish, Center drain placement, and Full spray sides and bottom with Sides and Bottom pads.

| | |
|------------------------------|---|
| Installation Type: | Drop-in, Undermount |
| Material: | 304 Stainless Steel |
| Special Features: | Slim Rim |
| Finish: | Polished Satin |
| Gauge: | 18 |
| Sound Deadening: | Full spray sides and bottom with Sides and Bottom pads |
| Number of Bowls: | 1 |
| Sink Dimensions: | 15" x 15" x 9" |
| Bowl 1 Dimensions: | 12-1/2" x 9-3/4" x 9" |
| Drain Size: | 3-1/2" (89mm) |
| Drain Location: | Center |
| Minimum Cabinet Size: | 18" |
| Mounting Hardware: | Part # 64090022 included for drop-in installation for countertops thicker than 3/4" (19mm) up to 1-1/2" (38.1mm) thick. |
| Template Included: | Yes |
| Cutout Template #: | 1000001178 |

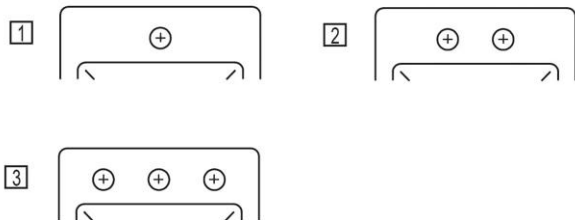
Template is available for download at [elkay.com](#). CAD software will be required to open the template.

Cutout Dimensions for Drop-in Installation:

14-3/8" x 14-3/8" (365mm x 365mm) with 1/2" (12mm) corner radius

Hole Drilling Configurations:

1-1/2" (38mm) Diameter Faucet Holes on 4" (102mm) Centers



Included with Product: ECTSR15159T Sink, CTXBG118 Bottom Grid

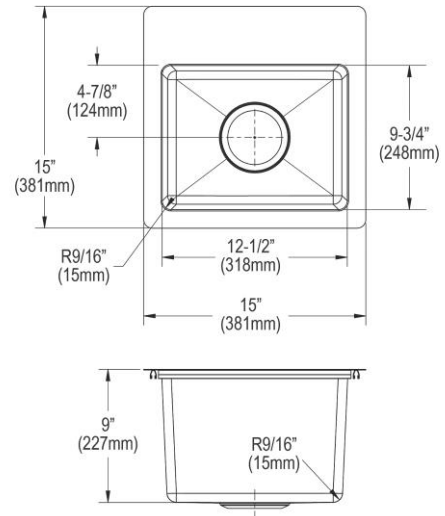
AMERICAN PRIDE. A LIFETIME TRADITION.
Like your family, the Elkay family has values and traditions that endure. For almost a century, Elkay has been a family-owned and operated company, providing thousands of jobs that support our families and communities.

Product Compliance: ASME A112.19.3/CSA B45.4



Sinks are listed by IAPMO® as meeting the applicable requirements of the Uniform Plumbing Code®, International Plumbing Code®, and National Plumbing Code of Canada.

[Clean and Care Manual \(PDF\)](#)
[Installation Instructions \(PDF\)](#)
[Warranty \(PDF\)](#)



PART: _____ QTY: _____

PROJECT: _____

CONTACT: _____

DATE: _____

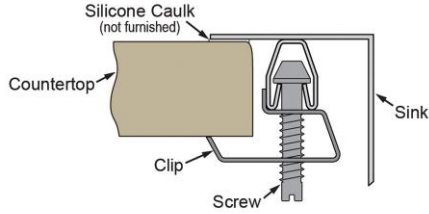
NOTES: _____

APPROVAL: _____

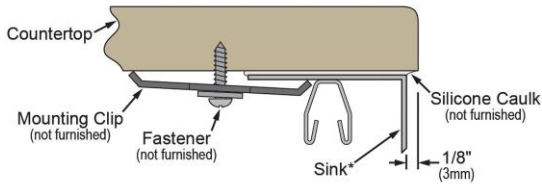
In keeping with our policy of continuing product improvement, Elkay reserves the right to change product specifications without notice. Please visit [elkay.com](#) for the most current version of Elkay product specification sheets. This specification describes an Elkay product with design, quality, and functional benefits to the user. When making a comparison of other producers' offerings, be certain these features are not overlooked.

Installation Profile:



DROP-IN



UNDERMOUNT - 1/8" OVERHANG



*Designed to affix to the underside of any solid surface countertop.

| Optional Accessories | | |
|----------------------|---|--|
| LK35 | Elkay 3-1/2" Drain Fitting Type 304 Stainless Steel Body, Strainer Basket and Tailpiece |  |
| LKDD | Elkay 3-1/2" Drain Fitting, Deep Strainer Basket |  |

In keeping with our policy of continuing product improvement, Elkay reserves the right to change product specifications without notice. Please visit elkay.com for the most current version of Elkay product specification sheets. This specification describes an Elkay product with design, quality, and functional benefits to the user. When making a comparison of other producers' offerings, be certain these features are not overlooked.

PRODUCT SPECIFICATIONS

Elkay Crosstown Stainless Steel 11" x 8-1/4" x 1-1/4" Bottom Grid.
Overall dimensions are 11" x 8-1/4" x 1-1/4".

Made of Stainless Steel

Bottom grids are:

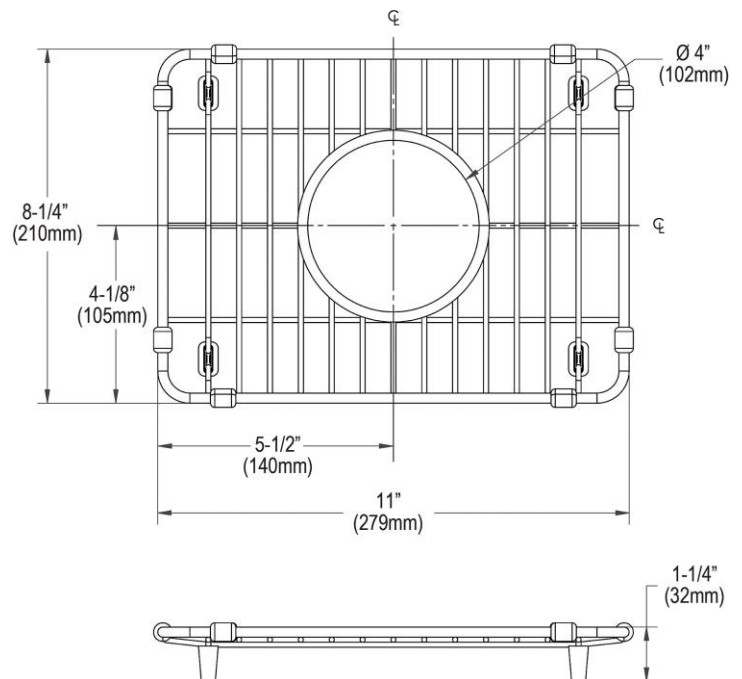
- Custom designed to protect and cover the bottom of your sink.
- Properly positioned opening for convenient access to drain or disposer.
- Built from solid stainless steel to resist corrosion and provide years of service.



| | |
|--------------------|--------------------------|
| Material: | Stainless Steel |
| Finish: | Polished Stainless Steel |
| Dimensions: | 11" x 8-1/4" x 1-1/4" |

AMERICAN PRIDE. A LIFETIME TRADITION.
Like your family, the Elkay family has values and traditions that endure. For almost a century, Elkay has been a family-owned and operated company, providing thousands of jobs that support our families and communities.

[Clean and Care Manual \(PDF\)](#)
[Clean and Care Manual \(PDF\)](#)
[Warranty \(PDF\)](#)



PART: _____ QTY: _____
PROJECT: _____
CONTACT: _____
DATE: _____
NOTES: _____
APPROVAL: _____

In keeping with our policy of continuing product improvement, Elkay reserves the right to change product specifications without notice. Please visit elkay.com for the most current version of Elkay product specification sheets. This specification describes an Elkay product with design, quality, and functional benefits to the user. When making a comparison of other producers' offerings, be certain these features are not overlooked.